

INSTALLATION INSTRUCTIONS



ROCK SLIDERS

APPLICATION:

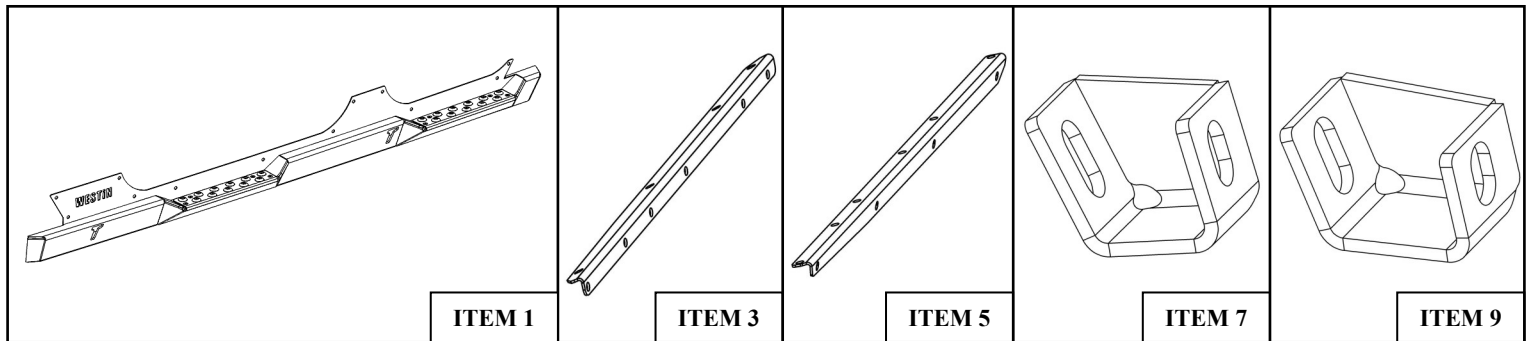
2007-2018 Jeep Wrangler JK 4 Door (Excl. JL)

PART NUMBER:

42-7015

ITEM	QUANTITY	DESCRIPTION	TOOLS NEEDED
1,2	2	ROCK SLIDER ASSEMBLY, DRIVER (1) AND PASSENGER (2)	13MM SOCKET
3,4	2	FRONT PINCH WELD ADAPTER, DRIVER (3) AND PASSENGER (4)	13MM WRENCH
5,6	2	REAR PINCH WELD ADAPTER, DRIVER (5) AND PASSENGER (6)	RATCHET
7,8	2	SHORT SUPPORT BRACKET, DRIVER (7) AND PASSENGER (8)	TORQUE WRENCH
9,10	4	LONG SUPPORT BRACKET, DRIVER (9) AND PASSENGER (10)	ALLEN WRENCH
11	14	M6 HEX SOCKET FLAT HEAD SCREW (BLACK ZINC)	3/16" DRILL BIT
12	14	M6 U-CLIP NUT (BLACK ZINC)	27/64" DRILL BIT
13	2	M8 HEX HEAD CAP SCREW (YELLOW ZINC)	DRILL MOTOR
14	6	M8 HEX HEAD FLANGE BOLT (YELLOW ZINC)	5/16" DRILL BIT
15	20	M6 HEX HEAD CAP SCREW (YELLOW ZINC)	
16	40	M6 FLAT WASHER (YELLOW ZINC)	
17	20	M6 SPLIT LOCK WASHER (YELLOW ZINC)	
18	20	M6 HEX NUT (YELLOW ZINC)	
19	6	M8 SERRATED FLANGE NUT (YELLOW ZINC)	
20	24	M8 SPLINED RIVCERT (YELLOW ZINC)	
21	6	M8 U-CLIP NUT (YELLOW ZINC)	
22	30	M8 HEX SOCKET BUTTON HEAD SCREW (BLACK ZINC)	
23	6	M8 FLAT WASHER (BLACK ZINC)	
24	1	UNIVERSAL M8 RIVCERT INSTALLATION TOOL	

ANTI-SEIZE LUBRICANT MUST BE USED ON ALL STAINLESS STEEL FASTENERS TO PREVENT THREAD DAMAGE AND GALLING



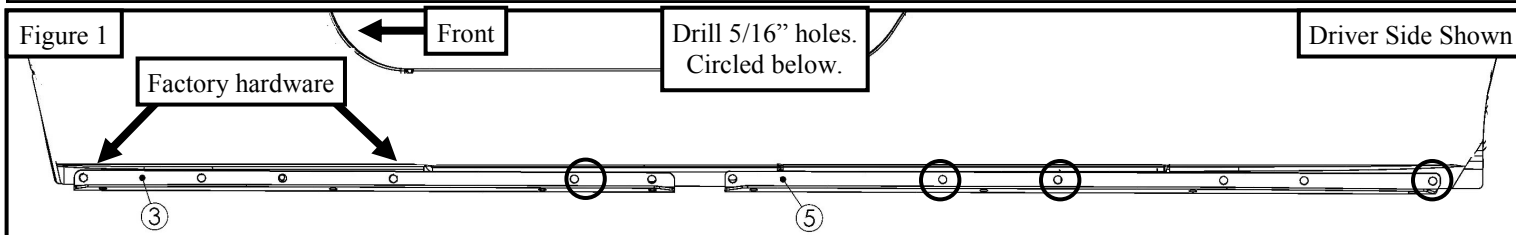
PROCEDURE

1. Remove contents from box, verify if all parts listed are present and free from damage.

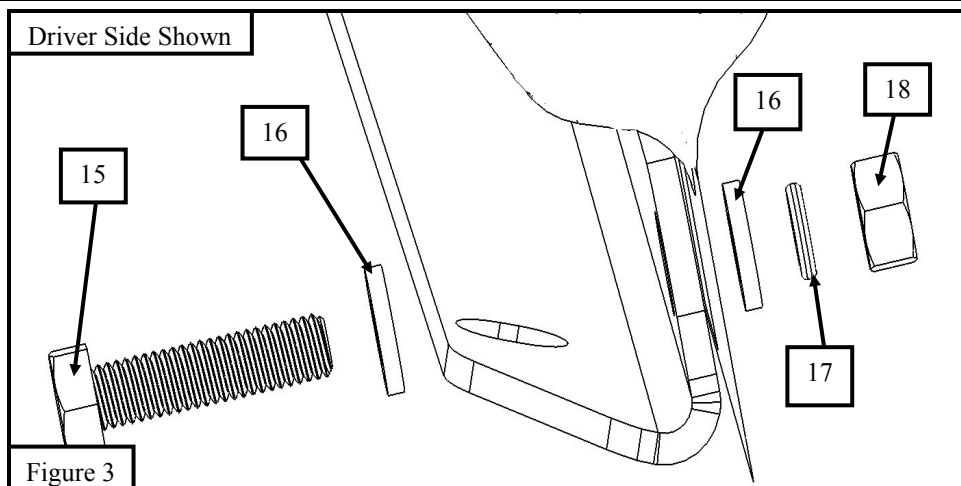
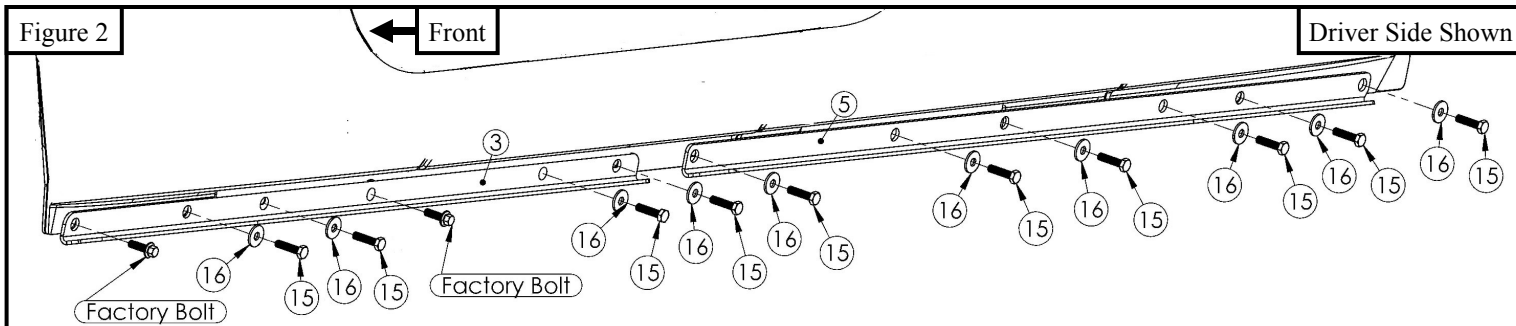
Carefully read and understand all instructions before attempting installation.

Failure to identify damage before installation could lead to a rejection of any claim.

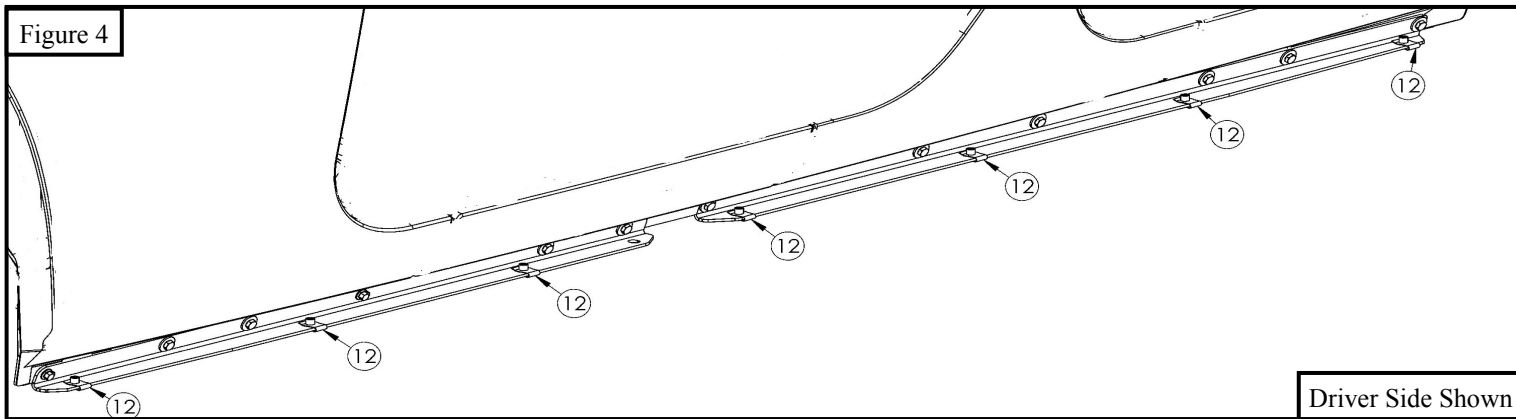
- Starting on either side. Locate (1) front pinch weld adapter (Item 3/4) and align it on the front side of the pinch weld. Locate (1) rear pinch weld adapter and align it on the rear side of the pinch weld. Loosely secure the both front/rear pinch weld adapters onto the pinch weld using the provided M6 hardware (Items 15-18) and with the factory hardware present. Mark location to drill (**Figure 1**). Remove both pinch weld adapters and then drill a 5/16" hole on pinch weld. See **Figure 1**.



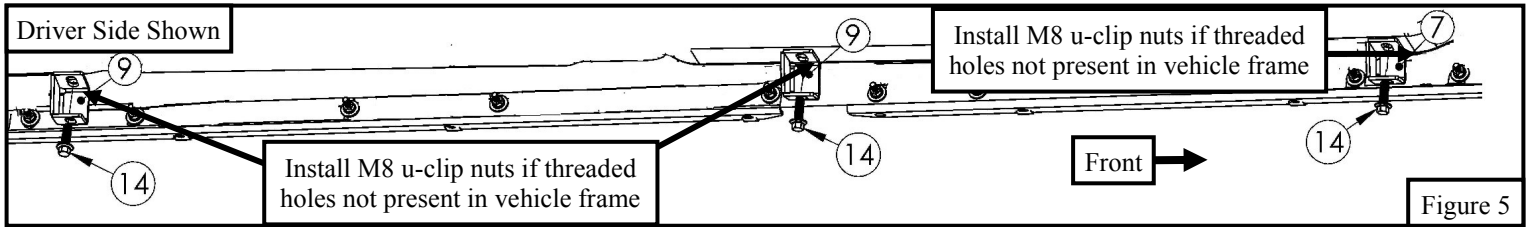
- Secure the both pinch weld adapters onto the vehicle pinch weld using the factory hardware present and the provided M6 hardware (Items 15-18). Align and adjust as necessary and then tighten M6 hardware to 5-7 ft-lbs. See **Figures 2 - 3**.



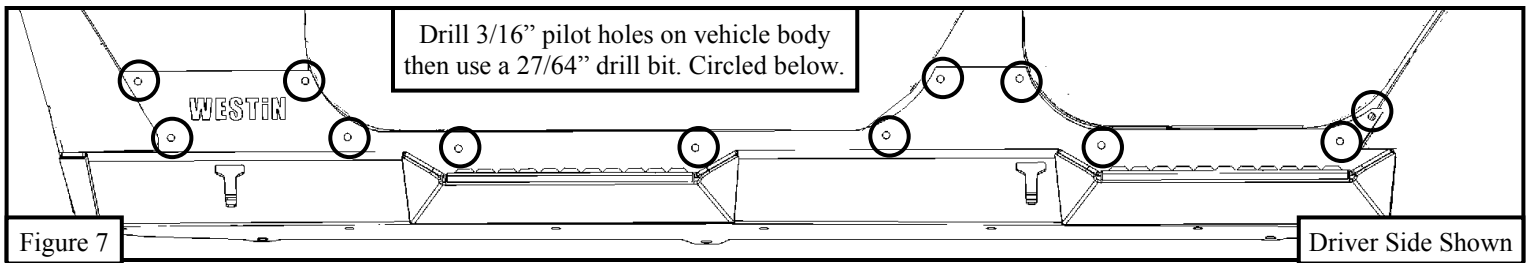
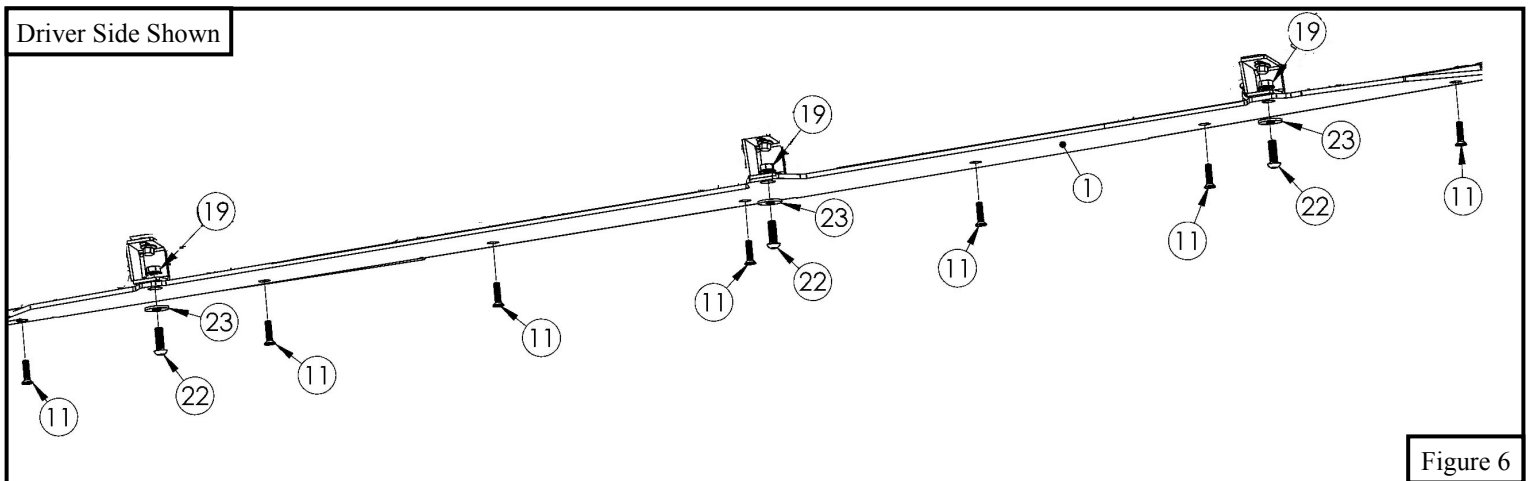
- Locate (7) M6 u-clip nuts (Item 12) and install one to each hole on both pinch weld adapters. See **Figure 4**.



5. Locate (1) short support bracket (Item 7/8) and loosely install in the front mount location using M8 hex head flange bolt (Item 14) . See **Figure 5**. **Note:** Install (1) M8 u-clip nuts if threaded hole not present. Refer to **Figure 5**.
6. Locate (2) long support brackets (Item 9/10) and loosely install in the center and rear mount locations using (2) M8 hex head flange bolt. See **Figure 5**. **Note:** Install (2) M8 u-clip nuts if threaded holes are not present. Refer to **Figure 5**.



7. Locate (1) Rock Slider assembly (Item 1/2) and with assistance loosely secure onto the previously installed support brackets and pinch weld adapters using (7) M6 hex socket flat head screws, (3) M8 hex socket button head screws, (3) M8 flat washers, and (3) M8 serrated flange nut. See **Figure 6**.
8. Mark location where to drill on vehicle body. See **Figure 7**. Remove Rock Slider assembly then drill 3/16" pilot holes. After pilot holes are drilled, use a 27/64" drill bit to widen the holes.



9. Locate the provided universal M8 rivcert installation tool, (1) M8 hex head cap screw (Item 13), and (10) M8 splined rivcerts (Item 20). Install the M8 splined rivcerts in the previously drilled holes on the vehicle body using the universal M8 rivcert installation tool and M8 hex head cap screw. Refer to **Figure 8**. **Note:** Do not attempt to use the any of the other provided screws for this; they may strip.
10. With assistance loosely secure the Rock Slider assembly back onto the vehicle using the same hardware in **Step 7** and (12) M8 hex socket button head screws. See **Figures 6 and 9**.

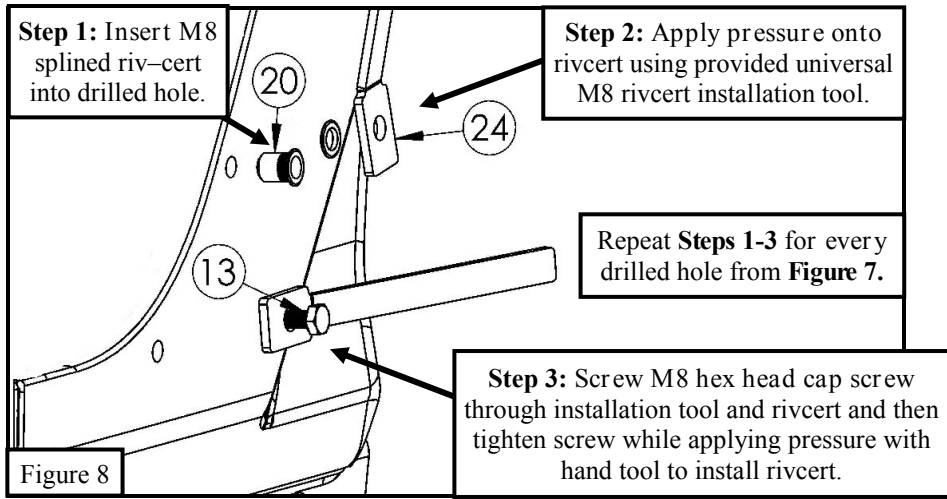


Figure 8

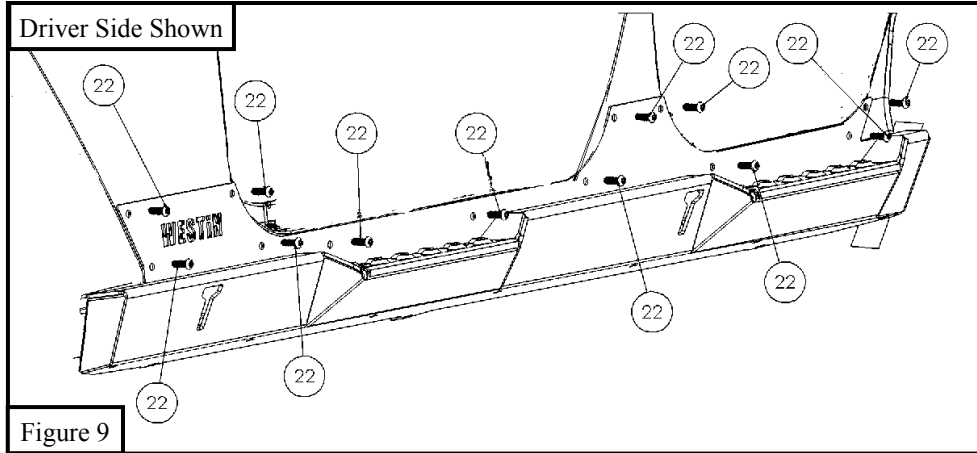


Figure 9

11. Repeat **Steps 2 - 10** for opposite side.
12. Align and adjust the Rock Sliders and brackets as necessary and then tighten hardware: M8 to 15-18 ft-lbs and M6 to 5-7 ft-lbs.



CARE INSTRUCTIONS

- REGULAR WAXING IS RECOMMENDED. DO NOT USE ANY TYPE OF POLISH OR WAX THAT MAY CONTAIN ABRASIVES.
- STAINLESS STEEL PRODUCTS CAN BE CLEANED WITH MILD SOAP AND WATER. STAINLESS STEEL POLISH SHOULD BE USED TO POLISH SMALL SCRATCHES.
- GLOSS BLACK FINISHES SHOULD BE CLEANED WITH MILD SOAP AND WATER.